



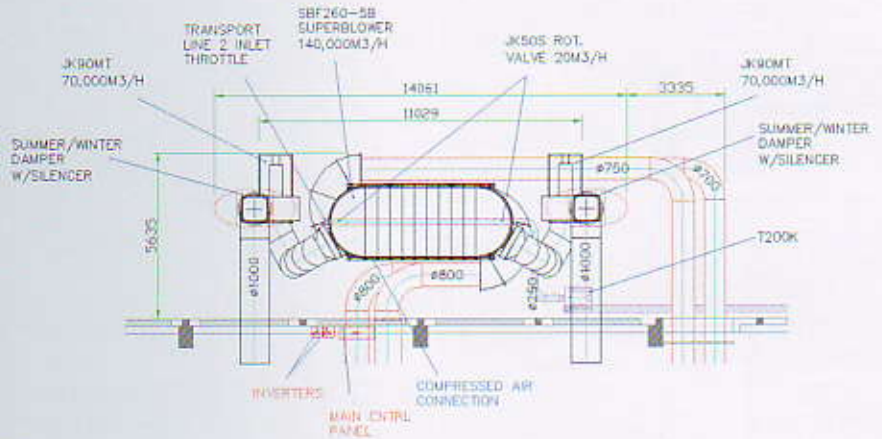
Design & Engineering

Blue-vent provide customers with professional design and engineering services.

Blue-vent design emphasize on: Energy saving, safety and flexible layout, as well as trouble free operation with reduced down time. To obtain the best design, Blue-vent uses 50 years experience in design and installation of dust collector systems.

Blue-vent engineers create exact CAD-drawings, after which the system is pre-fabricated and built.

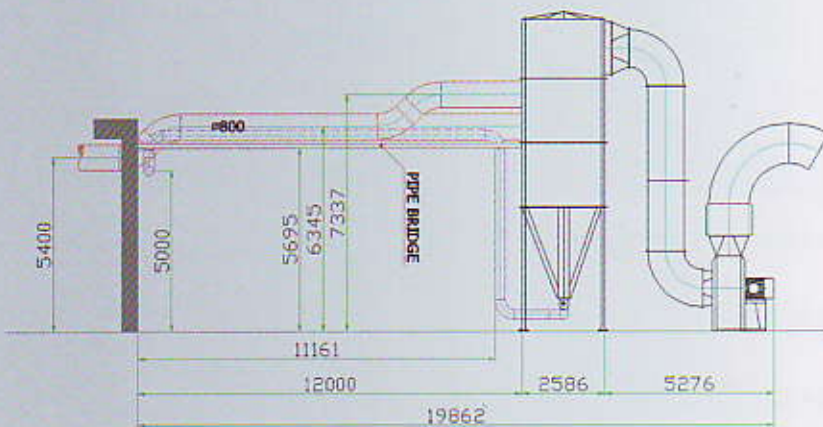
Design ideas and drawings are discussed with the customer, to confirm the best suitable solution for their factory.



As a result of very exact layout drawings installation is easy and trouble free.

Filter installations are supervised by Blue-vent engineers, with years of experience.

When commissioning the filter system, Blue-vent engineers measure air flow and pressure, to verify filter performance is according to design.



The very exact design drawings from Blue-vent ensures that mistakes are eliminated before production and installation commence.

Blue-vent filter systems are easily erected in accordance to detailed design drawings. The system ready for operation is "built as drawn".



Red Apple Furniture Co., Shenzhen.